



SLOTLUX 4

RECESSED LINEAR PANEL SYSTEM

FOR GYPSUM BOARD CEILINGS

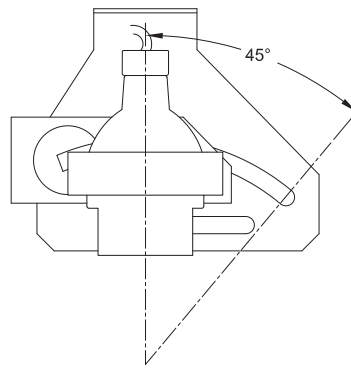
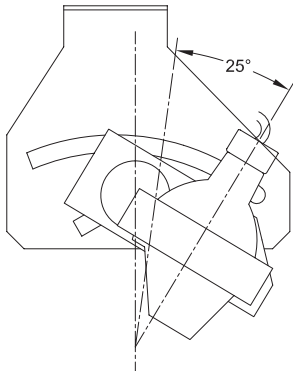
SLOTLUX 4 Recessed Panel System is a linear adjustable accenting or wallwashing system with flush mounted aperture panels. The fixture fittings have 360° rotation and utilize 71W, 12V MR16 halogen lamps, with optional 9" or 12" on center spacing. SLOTLUX 4 has a discrete 4" linear aperture closed by removable aperture panels. Blank panels can be used in locations without fixtures. SLOTLUX 4 has the flexibility to follow the contour of a room, with mitered corner options available. It is an ideal solution in areas where maximum flexibility and adjustability are desired. It is designed for flangeless installation into gypsum board ceilings.

FEATURES:

- Recessed adjustable accent linear panel system
- Optional Object or Wallwash Fixture Fitting w/ 360° rotation
- Object Fitting has 45° tilt; Wallwash Fitting has 25° tilt
- Fixture comes standard with two 3-conductor, 20 Amp bus runs, each with independent neutrals
- Optional slots are available for 3rd or 4th 20 Amp bus run, please specify desired # of bus runs on ordering matrix
- Non-IC rated luminaire

WALLWASH FITTING

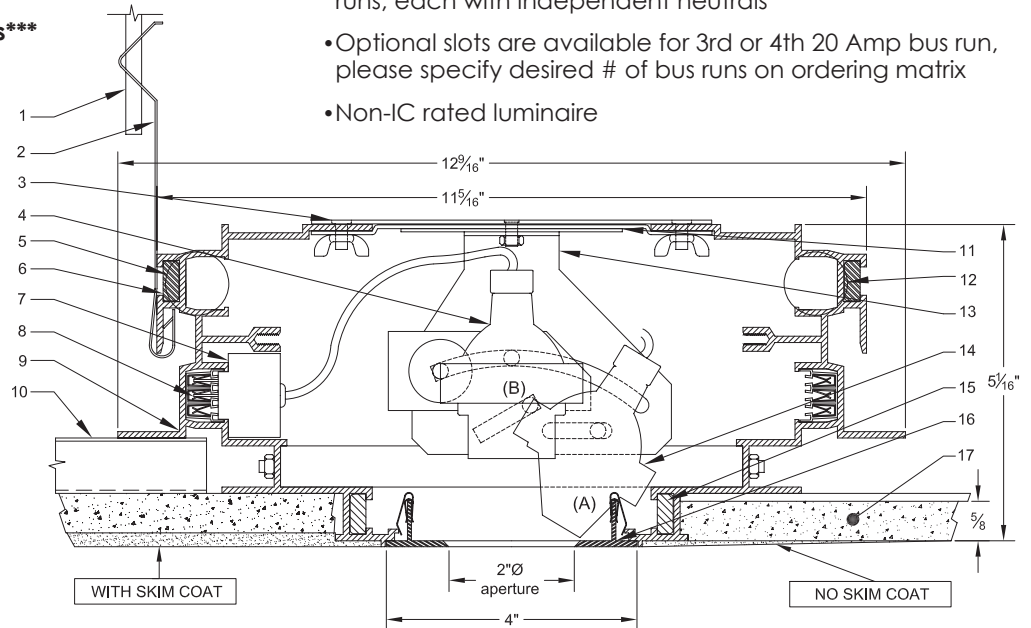
OBJECT FITTING



See Page 2 for Aperture Panel Options

NOTES:

1. Hanger Rod (by others)
2. Hanger clamp fastener (by others)
3. Fixture mounting studs on 9" centers
4. 12V MR16 lamp 71W Max (by others)
5. 3rd, 3-Conductor, 20 Amp bus run (optional)
6. Ceiling frame splice
7. Track plug and electronic transformer unit
8. 3-Conductor, 20 Amp bus run (2 standard)
9. Pre-assembled ceiling frame
10. Metal furring channel
11. Rotating fixture mounting bracket
12. 4th, 3-Conductor, 20 Amp bus run (optional)
13. Adjustable lighting fixture fitting
14. (A) Wallwash fixture fitting
(B) Object fixture fitting
15. Ceiling frame connecting bar
16. Removable aperture panel (blank panels optional where no fixtures are being used)
17. 5/8" gypsum board



ORDERING MATRIX: SLT4-GB-

SLOTLUX 4 for gypsum board ceilings is NRTL (Nationally Recognized Testing Laboratory) certified for purposes of OSHA safety standards product-approval requirements.

| 20 Amp Bus Runs | Run Length | Module Spacing | # of Aperture Covers | # of Blank Covers | Panel Finish | # of Wallwash Fittings | # of Object Fittings | Object Lens | Object Lens Coating | Additional Accessories |
|-----------------|--------------|---------------------------------|--|--|--------------|---|--------------------------------|-----------------------|----------------------------|------------------------|
| 2 | 2 - Standard | 9 9" O.C. | R 2" Round | B Blank | B Black | Specify QTY of Wallwash Fittings**/ WW Fittings come with WW Lenses | Specify QTY of Object Fittings | CL Clear | NC No Coating | N None |
| 3 | 3rd Bus Run | 12 12" O.C. | S 2" Square | Specify QTY of Full Covers after 'B' on Matrix | W White | | | SO Solite | DC Nulux Diffusion Coating | HC Hex Cell Louver |
| 4 | 4th Bus Run | Divisible by 9" or 12" Modules* | Specify QTY after 'R' or 'S' on Matrix | | O Other | | | LS Light Etch Solite | UV UV Coating | CUV Clear UV Lens |
| | | | | | | | | SD Stippled | | O Other |
| | | | | | | | | LS5 Linear Spread 55° | | |
| | | | | | | LS7 Linear Spread 75° | | | | |
| | | | | | | WW Wallwash 55/75° | | | | |

*Contact NULUX directly to specify custom lengths

Layout drawing required to confirm feed locations, mechanical splines and aperture panel layout



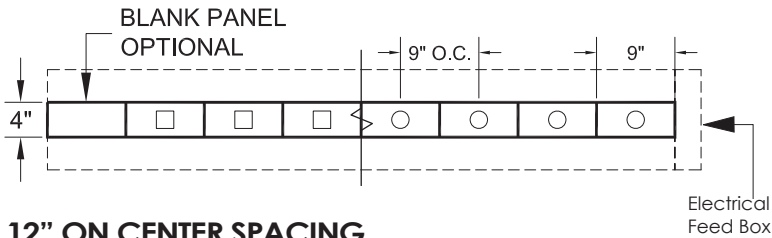
SLOTLUX 4

RECESSED LINEAR PANEL SYSTEM

FOR GYPSUM BOARD CEILINGS

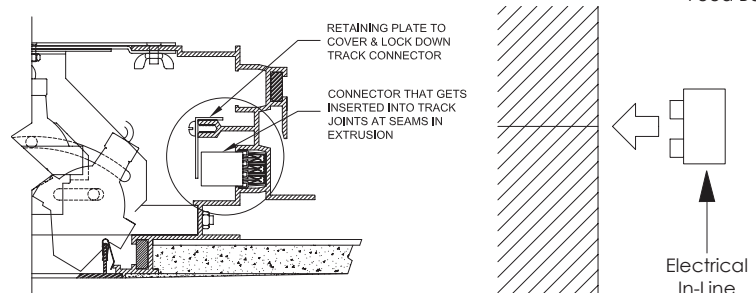
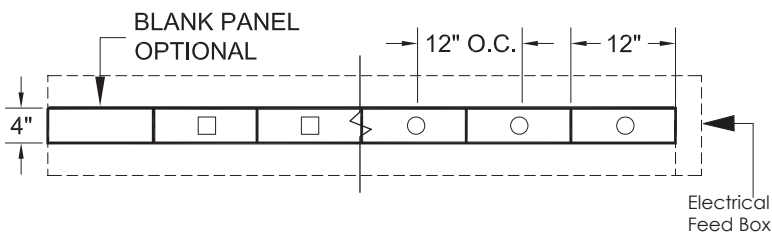
9" ON CENTER SPACING

*2" ROUND OR SQUARE APERTURE PANELS



12" ON CENTER SPACING

*2" ROUND OR SQUARE APERTURE PANELS



Insert electrical connector into track at joints between sections, only where indicated on this plan as an 'in-line electrical connection'. Secure with retaining plate and screw.

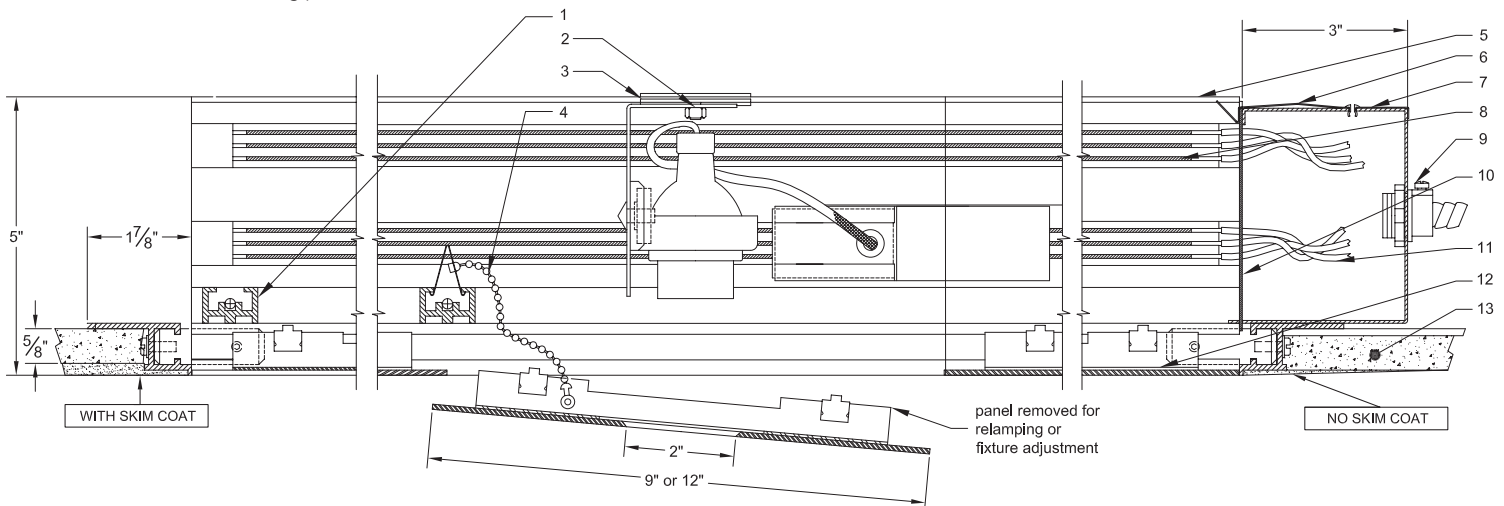
FEATURES:

- Available in standard lengths of 9" or 12" increments
- Fixture Fittings have either 9" or 12" on center spacing
- 2" round, 2" square or blank aperture panel options
- Extruded aluminum housing designed for trimless gypsum board ceiling installation
- Lensed Aperture panel is optional for Object Fitting only
- Non-IC rated luminaire

SLOTLUX 4 for gypsum board ceilings is NRTL (Nationally Recognized Testing Laboratory) certified for purposes of OSHA safety standards product-approval requirements.

NOTES:

1. Ceiling frame connecting channel
2. Swivel locking nut
3. Swiveling fixture mounting bracket
4. Safety chain
5. Pre-assembled ceiling frame
6. Access cover retaining spring
7. Steel splice box at feed end
8. 3-Conductor, 20 Amp bus run (up to 4 bus runs available)
9. BX connector (by others)
10. Steel splice box access cover plate
11. Insulated copper wire leads soldered to track conductor
12. Solid aluminum ceiling frame splice
13. 5/8" gypsum board ceiling



*Contact NULUX directly to specify custom lengths
Layout drawing required to confirm feed locations, mechanical splines and lens layout